

MARS 1200

TECHNICAL DATA



HIGHLIGHTS

- Compact design enabling trouble-free installation and relocation
- V-shaped table top
- Sloped front
- Excellent light distribution
- Electrical sliding front window
- Easy window cleaning on both sides

For more information please visit www.labogene.com

Details

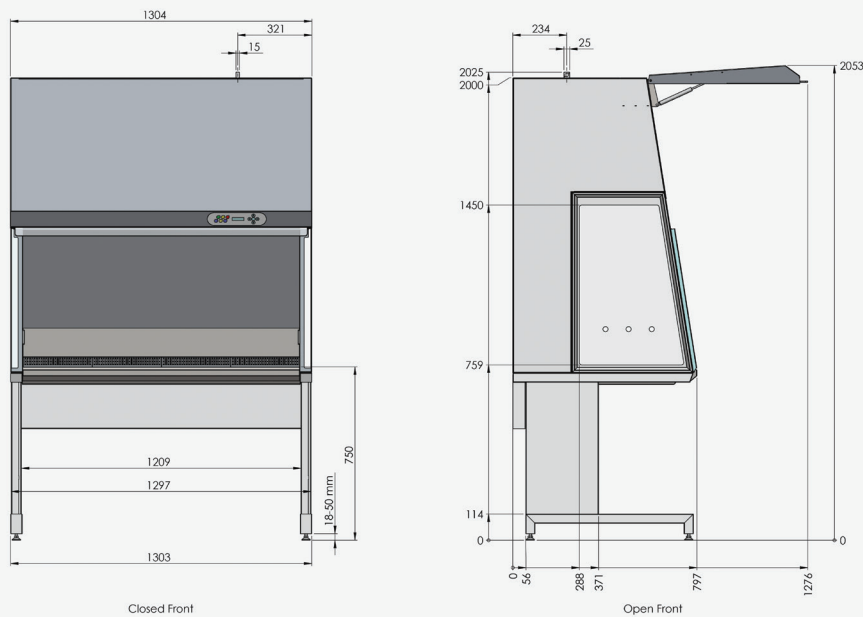
| | |
|--|--|
| Product family | MARS |
| Model: | 1200 |
| Product type | Class II Biological Safety Cabinet according to EN 12469 |
| Certificates | None |
| Compliance with | EN 12469, EN 61010-1, EN 61000-6, EN 11201 |
| e-catalogue classification (UNSPSC code) | 411035 Laminar flow cabinets or stations |

| General specifications | Unit | | Note |
|--|-------------------|---|--|
| Sound Pressure Level at factory settings | dB(A) | ≤47 | According to EN 11201. |
| Sound Pressure Level in Eco-Save mode | dB(A) | ≤37 | Optional automatic mode shift available |
| Down flow, Air velocity | m/s | 0,28±0,01 | Factory setting according to EN 12469 |
| Inflow, Air velocity | m/s | 0,45 | Factory setting according to EN 12469 |
| Exhaust, Air flow rate | m ³ /h | 389 | Factory setting according to EN 12469 |
| Light illuminance (flourescent tube) | Lux | > 2000 | Optionale dimmable version available |
| Front Opening (height) | mm | 200 | Factory setting (adjustable between 0-300mm) |
| Number of table top segments | | 4 | Customized layout and accessories upon request |
| Filter construction in accordance with EN 1822-1 | | 2-filter system, HEPA, at least Class H14 | Class U17 available with MARS PRO 3-filter version |
| Table top and trough material | | AISI 304 stainless steel | |
| Table top max. total load | kg | 100 | |
| Side glass material | | 5 mm hardened glass w. 3 x ø22mm holes | Other hole options available |
| Front glass material | | 6mm laminated safety glass | Optional antireflex coating available |
| Cabinet and backwall material/colour | | Polyester coated steel/RAL 9016 | Other RAL colours available upon request |

| Dimensions | Unit | | Note |
|---|----------------|------------------------|---|
| External dimensions with adjustable stand (Std. height) (DxWxH) | mm | 797 x 1304 x 2033 | See drawing for details. Can pass through a standard door opening size 9x21M. Stand is available as an option |
| Table top height with adjustable Stand (Std. height) | mm | 750 (Range 745-780) | 2 additional stand heights available as options |
| External dimensions with elec. elevation stand (DxWxH) | mm | 797 x 1304 X 2025-2325 | Available as an option |
| Table top height with elec. elevation stand | mm | 750-1050 | |
| Work chamber dimensions (DxWxH) | mm | 650x1200x700 | |
| Net weight | kg | 192 | |
| Shipping Volume | m ³ | Approx. 2,9 | |

MARS 1200

TECHNICAL DATA



| Electrical data | Unit | | Note |
|--|---------|---------------------------|--|
| Rated AC Voltage/frequency | V/Hz | 220-240/50-60 | Other voltages available |
| Rated max. current (fuse) | A | 10 | |
| Power outlet(s) max. total current (fuse) | A | 6,3 | The sum of all power outlets |
| Type of power outlet socket, pair, left & right side | | DK - type K (IP44) | Other types available. Select between 9 different regional types |
| Typical power consumption excl. power outlets | VA/Watt | 126/116 | At factory setting and normal operation |
| Typical power consumption in Eco-Save mode | VA/Watt | 37/30 | |
| Type of mains connection | | 3pin male AC power socket | Top mounted, left or right side |

| Additional available options | Unit | | Note |
|--|------|---|--------------------------------------|
| Electrical elevation - Worktop height range | mm | 745-1050 | |
| LED light | | Excellent neutral white light distribution 1500Lux/4000K | Optionale dimmable version available |
| UV-C sterilisation | | Easy and fast decontamination | |
| Extra Power outlets, pair, left & right side | | Select between 9 different regional types | |
| Antiblow back valve straight Ø 200 mm | | | |
| Antiblow back valve side Ø 200 mm | | | |
| Programmable output module for external control purposes | | 4 sets of potential less contacts | |
| Hydrogen Peroxide Vapour (VHP) Decontamination valves | | | |

LaboGene ApS is Certified according to EN/ISO 9001 UKAS
 LaboGene ApS owns the copyright of this data sheet. Subject to technical changes.
 Illustrations and photos may contain options and modifications not supplied as standard.

Ihr Fachhändler:
www.axon-labortechnik.de



Axon Labortechnik GmbH
 Im Brauenstück 16 - D-67659 Kaiserslautern
 Verkaufsbüro Tel. 06223/95 41 190 Fax: 06223/95 40 714
 info@axon-labortechnik.de

